



Multifunctional storage unit in blockboard, with double doors in smoked glass opening to 180° and with wooden handles. The unit and the accessories are designed to meet storage and functional needs, with the possibility to insert small electrical appliances (Jumbo version). The inside is illuminated by LED strips along the inner side, activated automatically via touch sensors by the passage of the hand.

**STANDARD COMPOSITION:** SEE TECHNICAL DRAWINGS

SMALL DOOR ON THE LEFT AND BIG DOOR ON THE RIGHT, BUT EXCHANGEABLE UPON REQUEST

**ADDITIONAL ACCESSORIES:** SEE TECHNICAL NOTES

FOR JUMBO VERSION (with the possibility to insert small electrical appliances such as fridge, microwave oven, wine cellar): maximum size for built-in appliances W.56 D.55 H.91.5 cm, but the space can also be customized. It is necessary to supply the technical data sheet of the chosen appliance for our approval.

**STANDARD VERSION:** DOORS AND SHELVES IN SMOKED GLASS (E2); DOORS WITH WOODEN FRAME AND GROOVED HANDLES; DRAWERS WITH PUSH-PULL SYSTEM, ON METAL RUNNERS

ATTENTION: BEFORE ASSEMBLING THE DOORS IT IS COMPULSORY TO FIX THE CABINET TO THE WALL

CODE	SIZE	A1	A2	A3	A4	A5
<b>CAMBUSA EVO</b>	W.127/254,6 x D.60,2 x H.201	■	■	■	■	■
<b>CAMBUSA EVO 2</b>	W.127/254,6 x D.60,2 x H.201	■	■	■	■	■
<b>CAMBUSA EVO 2 JUMBO</b>	W.127/254,6 x D.81 x H.201	■	■	■	■	■

**AVAILABLE FINISHES:**

**A1:** walnut without knots, walnut with knots, elm

**A2:** oak without knots, oak with knots, cherry, maple

**A3:** oak without knots finish: whitened, mystic black, neutro

oak with knots finish: whitened, mystic black, neutro

**A4:** oak without knots pigmented: ash grey, white milk, total black

oak with knots pigmented: ash grey, white milk, total black

N.B.: pigmented surfaces only outside, inside oak

**A5:** oak: flamed london, with knots tabacco

N.B.: flamed oak only outside, inside oak with or without knots

FEASIBILITY DOORS OPTIONS	
E2	■
E3	■

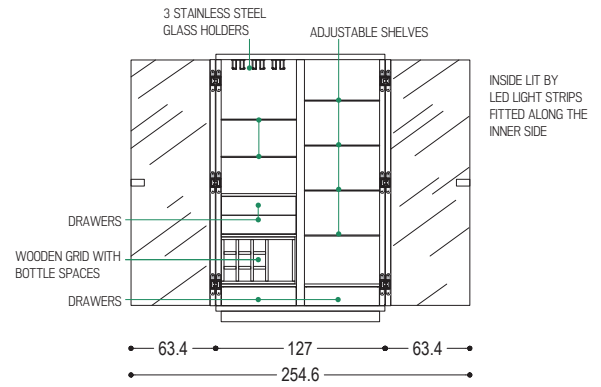
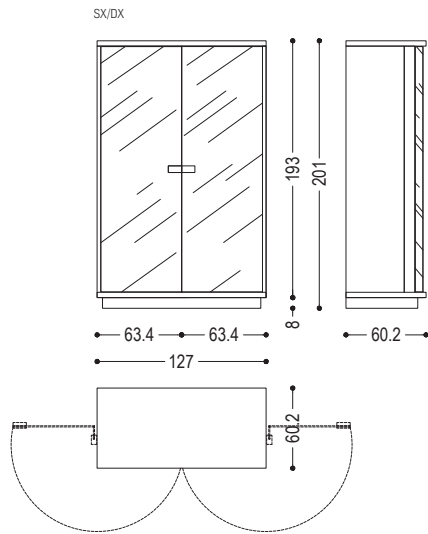
**AVAILABLE FINISHES:**

**E2:** glass: smoked, bronzed

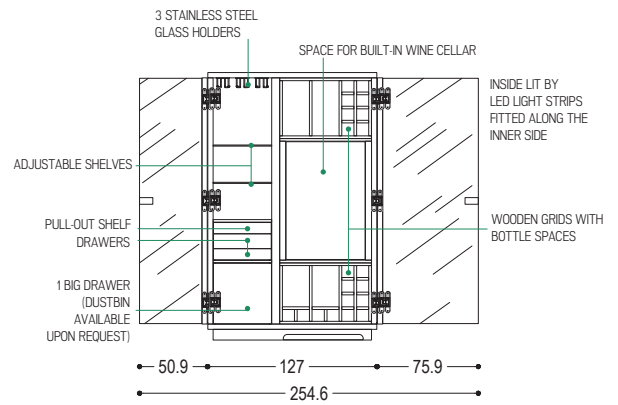
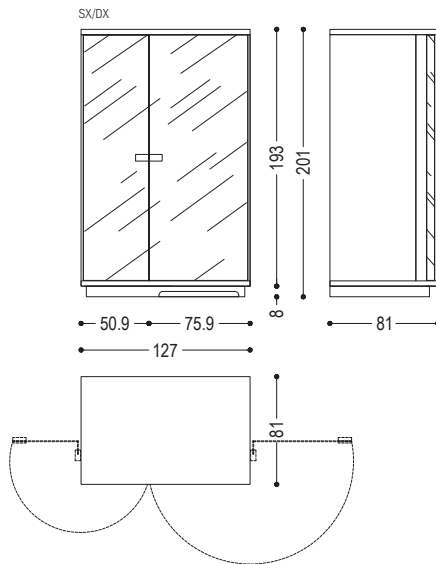
**E3:** lacquered glass (only selected RAL colours)

# CAMBUSA EVO / JUMBO

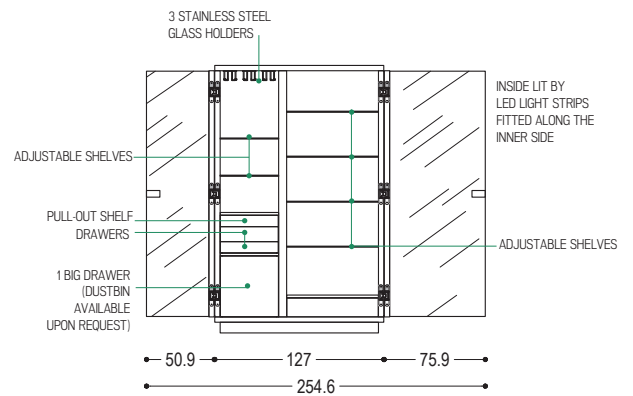
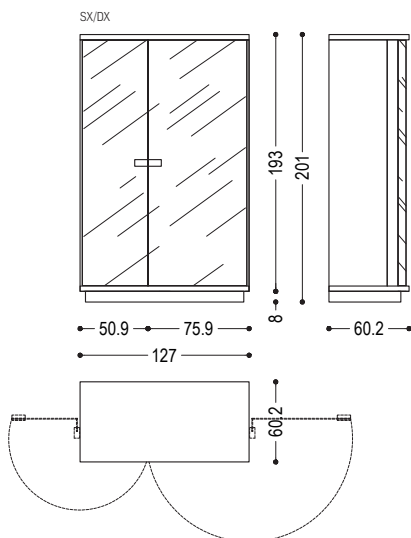
## CAMBUSA EVO



## CAMBUSA EVO 2 JUMBO



## CAMBUSA EVO 2



# CAMBUSA EVO /JUMBO | AVAILABLE FINISHES

## WOOD

A1



walnut without knots



walnut with knots



elm

A2



oak without knots



oak with knots



cherry



maple

A3



oak without knots finish:  
whitened



oak without knots finish:  
mystic black



oak without knots finish:  
neutro



oak with knots finish:  
whitened



oak with knots finish:  
mystic black



oak with knots finish:  
neutro

A4



oak without knots pigmented:  
ash grey



oak without knots pigmented:  
white milk



oak without knots pigmented:  
total black



oak with knots pigmented:  
ash grey



oak with knots pigmented:  
white milk



oak with knots pigmented:  
total black

A5



oak:  
flamed london

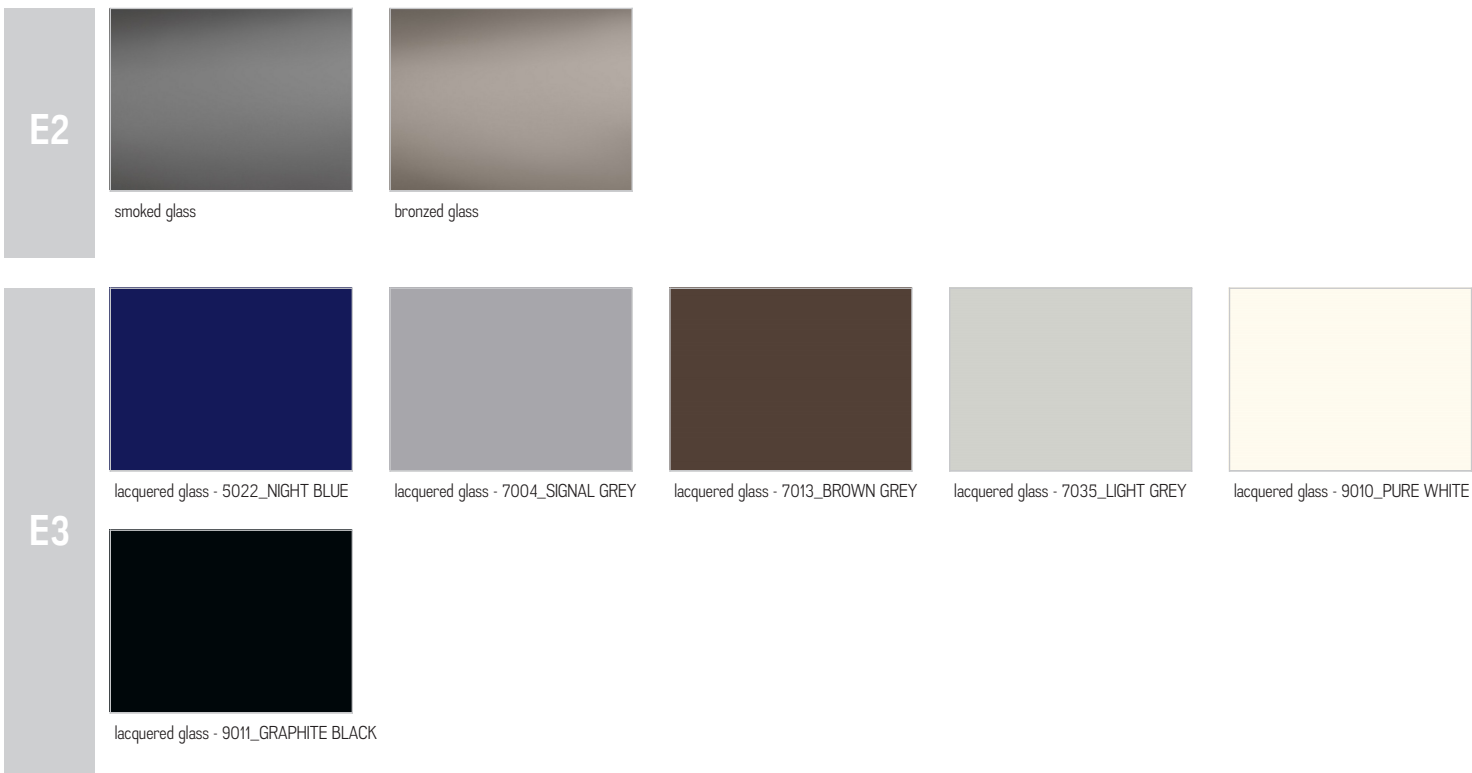


oak:  
with knots tabacco

# CAMBUSA EVO /JUMBO | AVAILABLE FINISHES

---

## GLASS



# PIECES OF FURNITURE | TECHNICAL NOTES

## DOORS AND DRAWERS OPENING SYSTEM

Add the following surcharge in case of non-standard opening system for drawers and doors.

SURCHARGE (price for one door/drawer)	
push-pull system	■
grooved handle	■

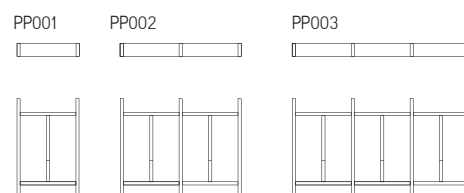
## CUTLERY TRAY

Trays can be customized upon request: feasibility and surcharge need to be confirmed by our sales department.  
Available finishes: walnut, oak, cherry, maple and elm.

CUTLERY DIVIDERS	
PP001 - for drawer W. 30 cm	■
PP002 - for drawer W. 60 cm	■
PP003 - for drawer W. 90 cm	■

**N.B.:**

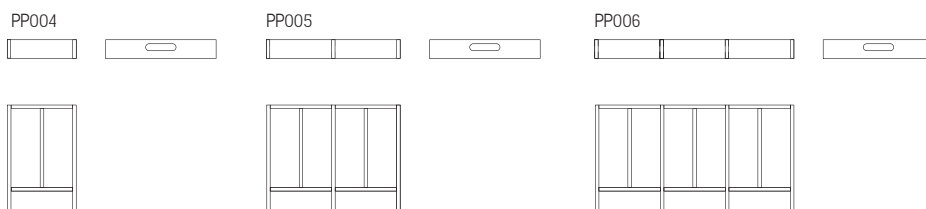
Cutlery dividers laid in the drawer.



CUTLERY TRAY	
PP004 - for drawer W. 30 cm	■
PP005 - for drawer W. 60 cm	■
PP006 - for drawer W. 90 cm	■

**N.B.:**

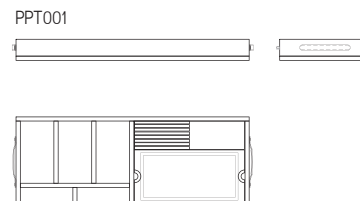
Cutlery tray with lateral handles for easy use.



CUTLERY TRAY WITH CUTTING BOARD	
PPT001 - for drawer W. 60 cm	■

**N.B.:**

Cutlery tray with lateral handles for easy use, composed by: cutlery dividers, beech cutting board and knives holder.



TRAY FOR FAR EAST ACCESSORIES	
SS001 - for drawer W. 60 cm	■

**N.B.:**

Set with dividers for far east kitchen with lateral handles for easy use.



# PIECES OF FURNITURE | TECHNICAL NOTES

---

## DRAWER DIVIDERS

### WINE SET

Set for drawer with accessories for wine tasting (professional corkscrew, spare tips, steel cap, thermometer, pourer, drip ring, foil cutter).

Size W.29,5 x D.22,5 cm.

WINE SET	
walnut/oak	■
teak	■



### SPIRITS SET

Set for drawer with accessories for spirits tasting (4 small glasses and 4 marble chilling cubes).

Size W.20 x D.22,5 cm.

SPIRITS SET	
walnut/oak	■



## BOTTLE SPACES

Wooden grid for space with size W.56 x H.35 cm; depth of the grid around 33 cm.

Characterized by 9 spaces around 9x9 cm each, for bottles positioned horizontally, and one vertical module around W.19 x H.31 cm.

The grid can be customized upon request: feasibility and surcharge to be confirmed by our sales department.

BOTTLE SPACES	
walnut/oak	■



## GLASS HOLDERS

Composed by 3 stainless steel holders.

Holders L. 32 cm can hold max. 3 glasses with diameter of 8,5 cm, while holders L. 46,6 cm max. 4 glasses.

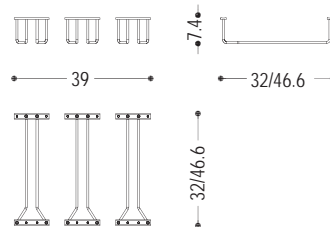
This set needs to be fixed to the top shelf or to another fixed shelf.

For more details please check the technical drawing.

Upon request:

- available in other sizes.
- position of the 3 elements at different distance.

GLASS HOLDERS	
set 3 elements L.32 cm	■
set 3 element L.46,6 cm	■



GLASS HOLDER ELEMENTS

