

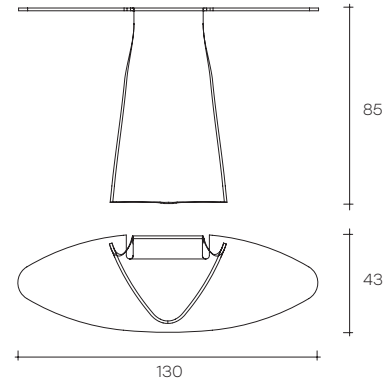


dama

DESIGN
MAKIO HASUIKE

modello registrato
registered model

portata sul piano: 40 kg
load capacity on shelf: 40 kg



Consolle monolitica in vetro curvato
da 12 mm con foro per fissaggio a muro.

Monolithic console in 12 mm-thick
curved glass.

dimensioni L, P, H
dimensions L, W, H
(cm)

COD./CODE

L

P/W

H

peso netto
net weight
(kg)

peso lordo
gross weight
(kg)

volume imballo
package volume
(m³)

Consolle.
Console.

1400

130

43

85

26

50

0,75

FINITURA
FINISH

SPESSORE
THICKNESS

Vetro extralight
Extralight glass

12 mm

Vetro extralight retrolaccato
Extralight back-lacquered glass

12 mm

Vetro extralight acidato
Extralight acid-etched glass

12 mm

Vetro extralight acidato retrolaccato
Extralight acid-etched back-lacquered glass

12 mm

Vetro fumè
Smoked glass

12 mm

Retro argentatura
Back-silvered