

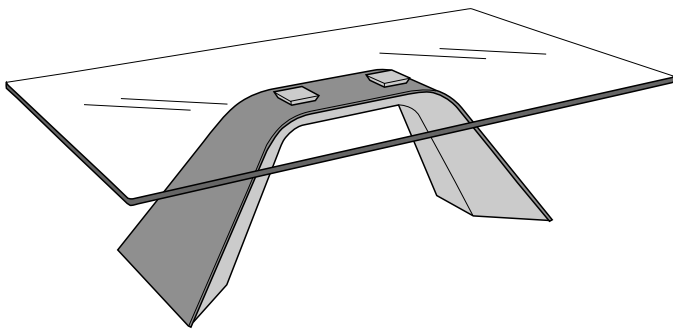
HYPER COLLECTION



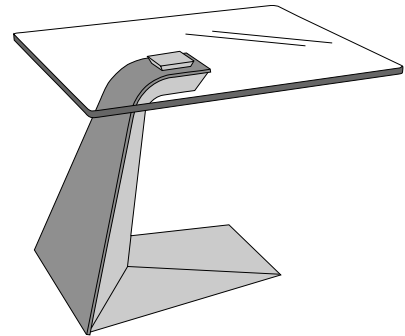
Designer : Carl Muller Patent Pending

HYPER COLLECTION

The primal, monolithic form of the Hyper table is a contemporary interpretation of ancient arched portals. Dramatically splayed and angled brushed stainless steel panels frame a continuous plane of walnut veneer that wraps the entire structure. This walnut plane tapers as it rises to the softly radiused shoulders and central span, where two solid stainless steel squares are bonded to the generous tempered glass top. The Hyper table is a powerful, elemental form that will enhance any environment. Companion dining table also available. Shown in walnut veneer natural. The walnut veneer is available in a variety of finishes.



2026
Cocktail Table
28d x 54w x 16.5h



2026E
End Table
22d x 26w x 20.25h



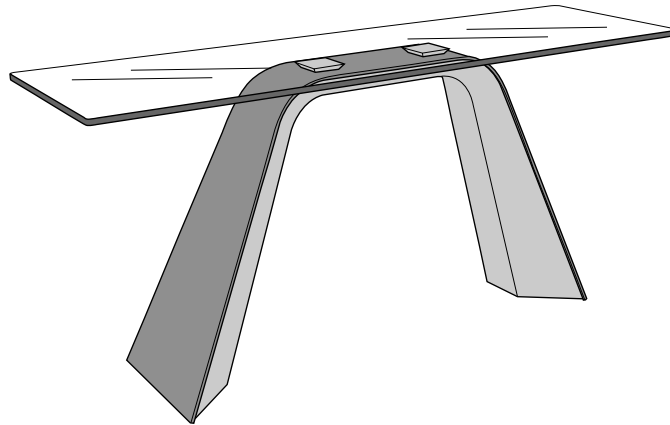
HYPER COLLECTION



Designer : Carl Muller Patent Pending

HYPER COLLECTION

The primal, monolithic form of the Hyper table is a contemporary interpretation of ancient arched portals. Dramatically splayed and angled brushed stainless steel panels frame a continuous plane of walnut veneer that wraps the entire structure. This walnut plane tapers as it rises to the softly radiused shoulders and central span, where two solid stainless steel squares are bonded to the generous tempered glass top. The Hyper table is a powerful, elemental form that will enhance any environment. Companion dining table also available. Shown in walnut veneer natural. The walnut veneer is available in a variety of finishes.



2026C
Console Table
18d x 64w x 29h

ELITE

M O D E R N

www.elitemodern.com