



Enveloping chair completely in solid wood, with seat and back combined through dovetail joints. Revolving iron base.

CODE	SIZE	BASE	A1	A2	A4
MATERIA	W.46 x D.56 x H.45/80,5	B2	■	■	■
		B3	■	■	■

AVAILABLE FINISHES:

A1: walnut without knots

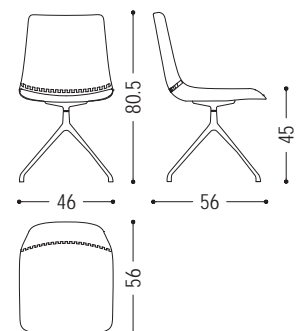
A2: oak without knots

A4: oak without knots pigmented: total black

B2: lacquered iron: iron dust

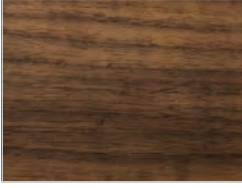
B3: lacquered iron matt brushed effect: aged bronze, stainless steel, titanium

N.B.: cherry and maple availability and price on request



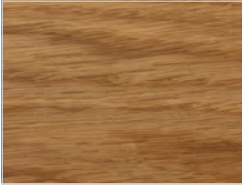
WOOD

A1



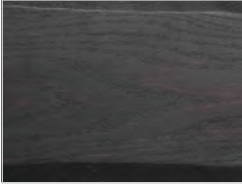
walnut without knots

A2



oak without knots

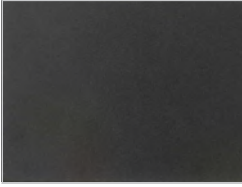
A4



oak without knots pigmented:
total black

IRON

B2



lacquered iron:
iron dust

B3



lacquered iron, matt brushed effect:
aged bronze



lacquered iron, matt brushed effect:
stainless steel



lacquered iron, matt brushed effect:
titanium