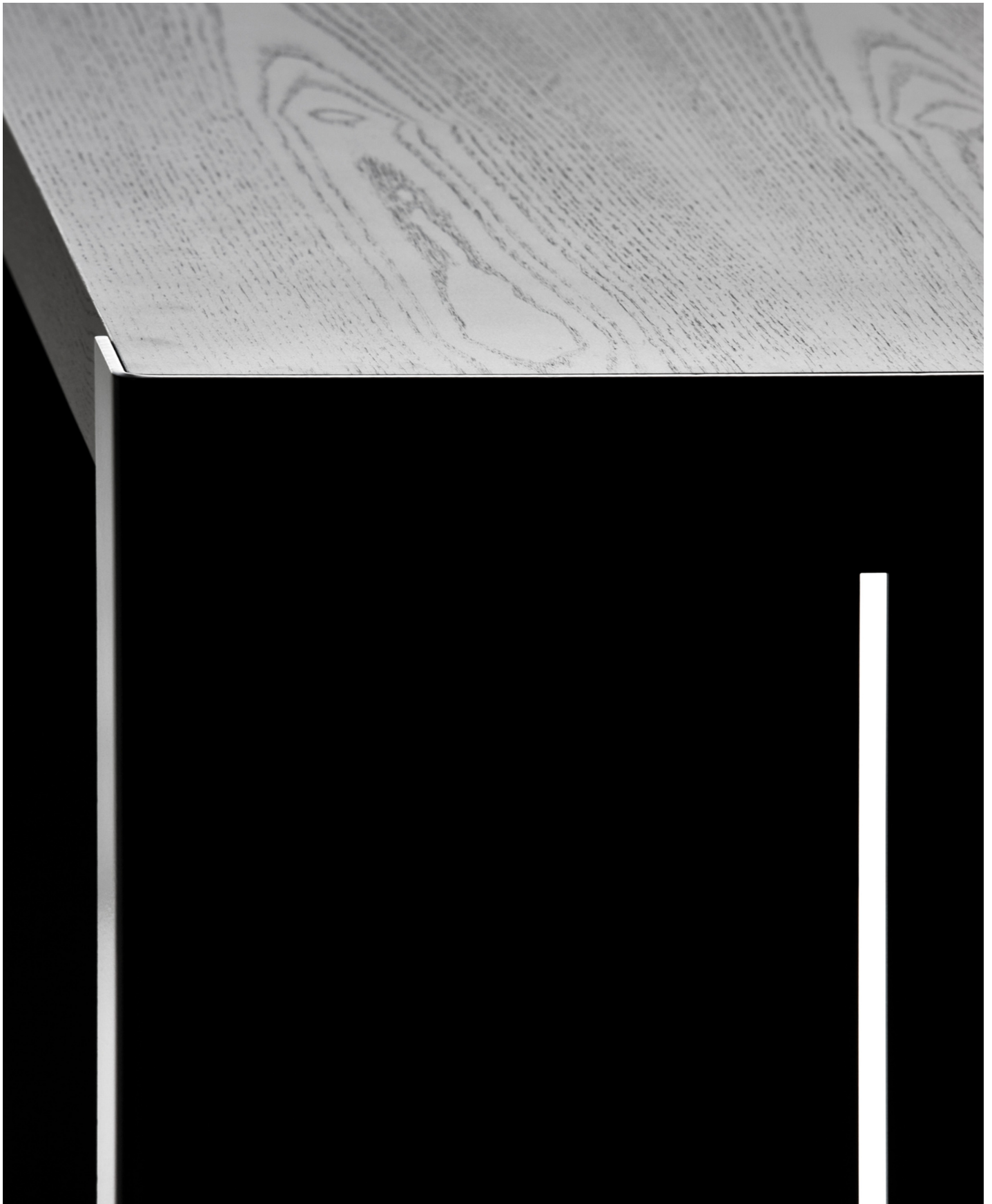


PANCO

Romano Marcato | 2008

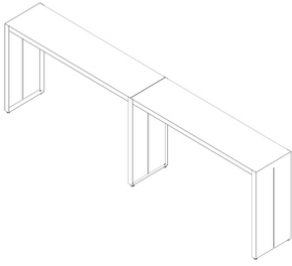


PANCO

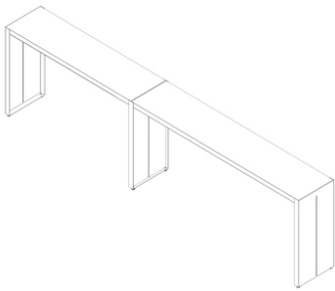
Romano Marcato | 2008

This collection of high tables, adding strength and character to any space, is the result of a combination of wood and metal. In a straight line, single or sinuous elements can be freely used to create a system. And the slits in the side legs, made of bent metal, recall the movement and elegant seduction of an evening dress.

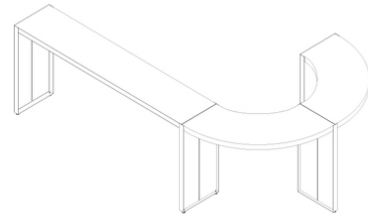




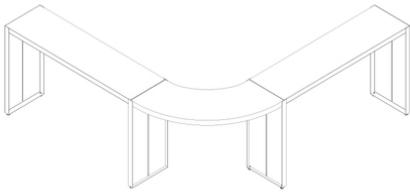
Symmetric



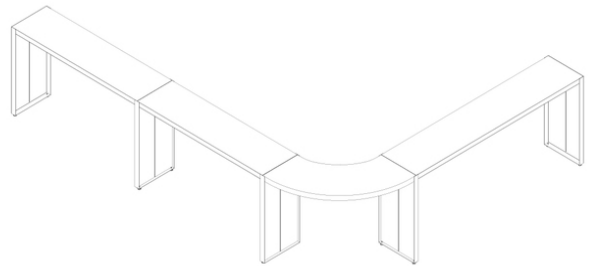
Asymmetric



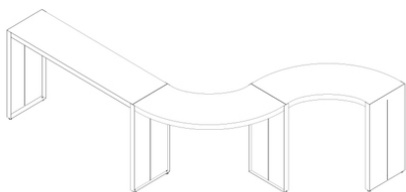
J_shape



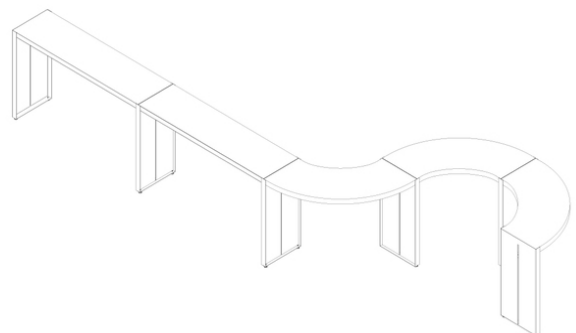
L_shape —small



L_shape —big



S_shape



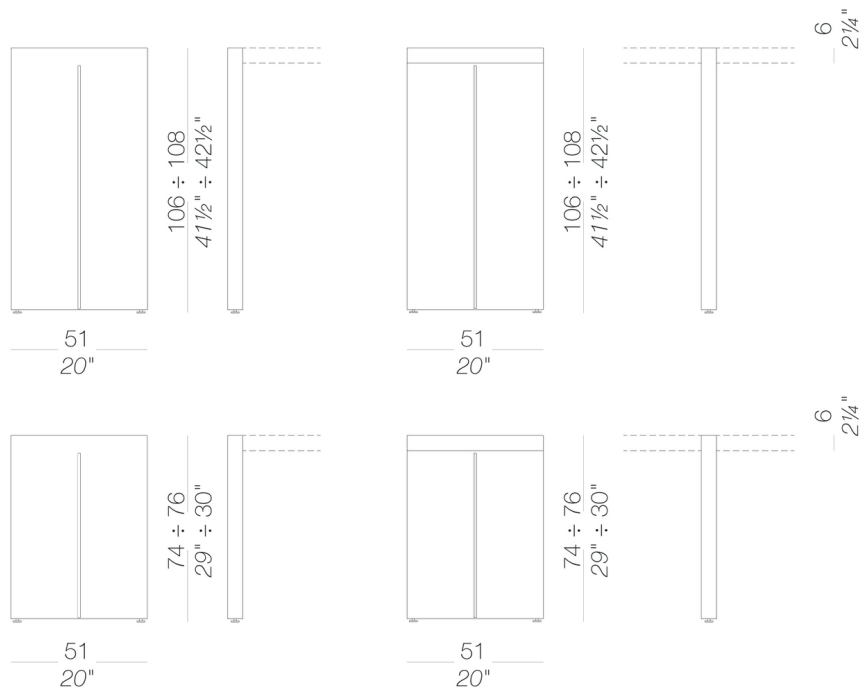
S_shape —big

PANCO

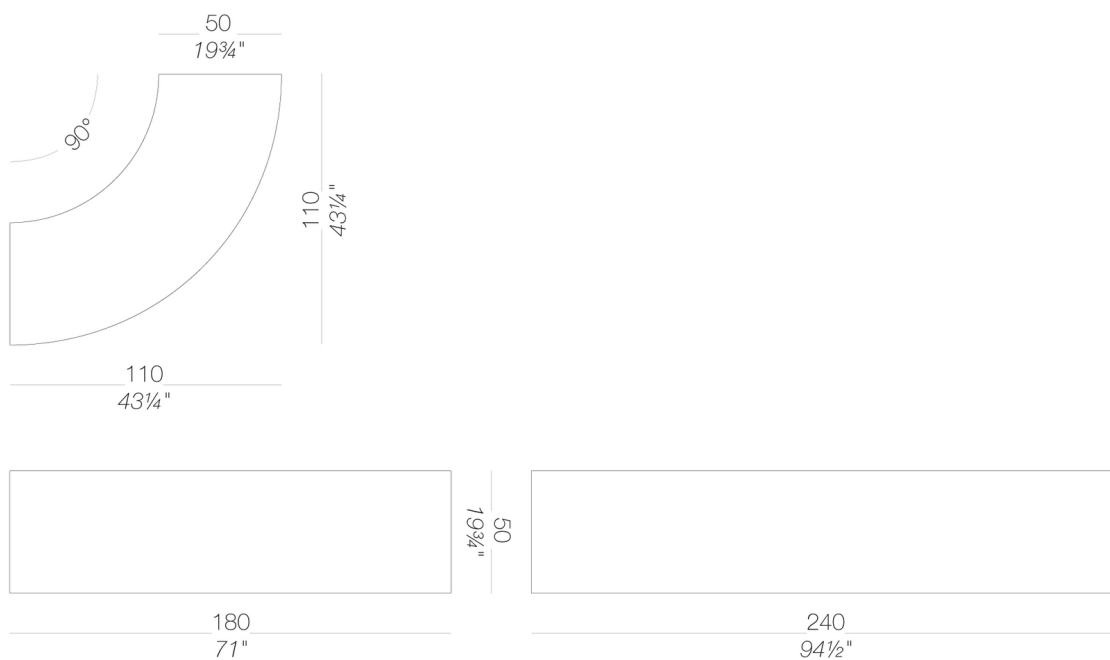
Romano Marcato | 2008

Modular system of tables, available in two lengths and two heights and a curved element. Top in honeycomb board in several finishes. Legs in metal, powder coated with adjustable feet.

legs



tops



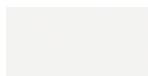
PANCO

Romano Marcato | 2008

frame



powder coating
black
1 Colors

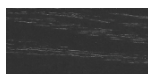


powder coating
white
1 Colors

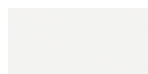
top



wood
blanched oak
1 Colors



wood
black open pore
1 Colors



laminate
406 abet 9/10
1 Colors

consult the portfolio for the range of colors, fabrics, eco-leather, soft-leather.

use and maintenance instructions

Clean all parts in wood, leather, fabric and metal with a damp cloth or a diluted neutral cleaner. Do not use cleaners with alcohol, bleach, solvent or abrasive products. Any liquid spilt on the product must be wiped up immediately. When lifting or moving the product, hold it on the structure and not under the seat. The product should not be subjected to unbalanced weights, as it is designed for a proper rest on the foothold (on four legs or on the base). Our company relieves from any responsibility in case of damage caused to fragile floors. Avoid any improper use of the product: do not step on the product, on the footrest or on the armrests. Avoid any movements that could compromise the proper functionality of the product or the safety of the users. Wood and leather, being natural materials, could be easily damaged. Small impurities or imperfections are within quality standard range. Do not expose the product to weather conditions or atmospheric agents, nor to heat sources over 40°C. Also products for outdoor use could be afflicted by atmospheric agents. The product could undergo possible exterior changes due to particular exposure to heat, humidity and saltiness. An appropriate and frequent maintenance and cleaning of the product enhances its durability. The product could change colour and shade, if exposed to direct sunlight. Maintenance has to be carried out by experienced staff. Dispose of the package only after assembling the product, in order to avoid the loss of ironmongery and components. Once the product has been dismantled, the product itself or its components must be given to the public garbage disposal system, according to the legislation in force.