



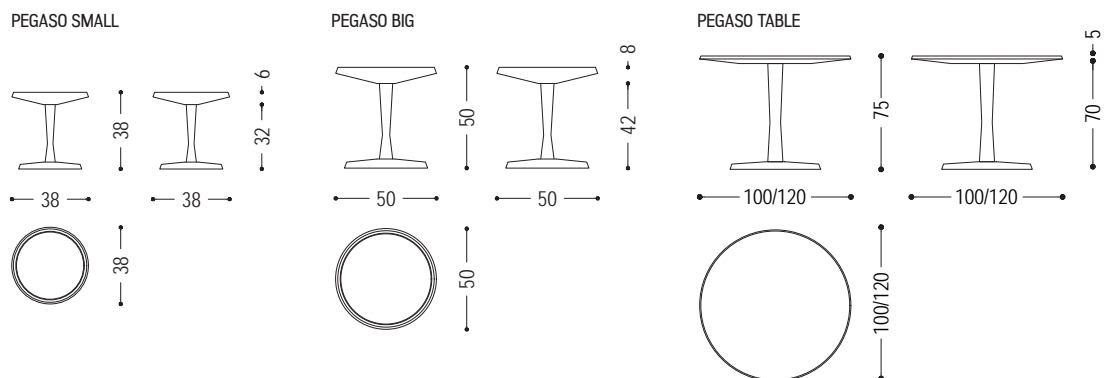
Round small table completely in solid wood, characterized by top obtained using a pantograph, central turned leg and floor base. Available in various sizes. Attention: the leg is turned in a different way on the small tables H.38 or H.50 cm compared to the tables H.75 cm.

CODE	SIZE	A1	A2
PEGASO SMALL	Ø 38 x H.38	■	■
PEGASO BIG	Ø 50 x H.50	■	■
PEGASO TABLE1	Ø 100 X H.75	■	■
PEGASO TABLE2	Ø 120 x H.75	■	■

**AVAILABLE FINISHES:**

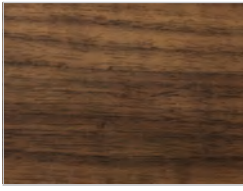
**A1:** walnut without knots

**A2:** oak without knots, cherry, maple



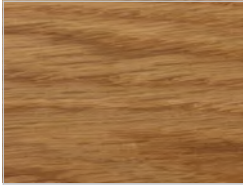
## WOOD

A1



walnut without knots

A2



oak without knots



cherry



maple