

# SELTZ

Romano Marcato | 2009



# SELTZ

Romano Marcato | 2009

Distinctive and discreet with its top that tilts to 90°, the SELTZ small table meets the needs of any context. The steel column and offset feet facilitate storage. The tabletop is available in three different colours: white, black or wood. Just enough to create the perfect cocktail.

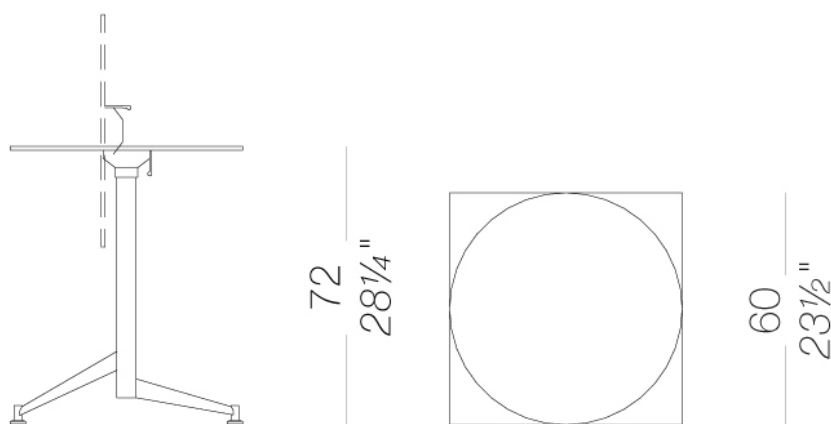


# SELTZ

Romano Marcato | 2009

## basic | Folding bar table with round or square top Ø60 60x60 H72

Nesting table in two heights, with flip-top in several finishes and two different sizes. Base in sandblasted stainless steel Aisi 304 with adjustable feet.

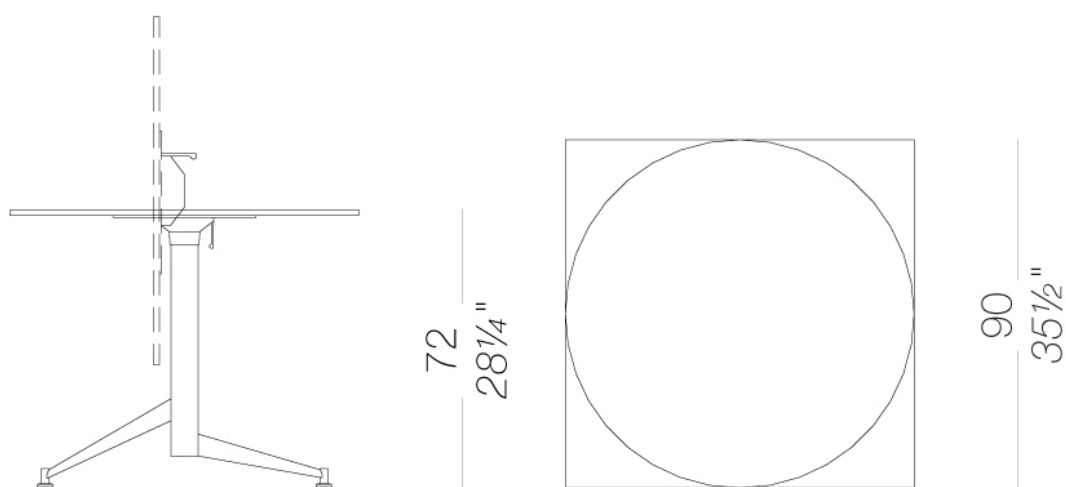


# SELTZ

Romano Marcato | 2009

## big | Bar table with 90 top stackable Ø90 90x90 H72

Nesting table in two heights, with flip-top in several finishes and two different sizes. Base in sandblasted stainless steel Aisi 304 with adjustable feet.

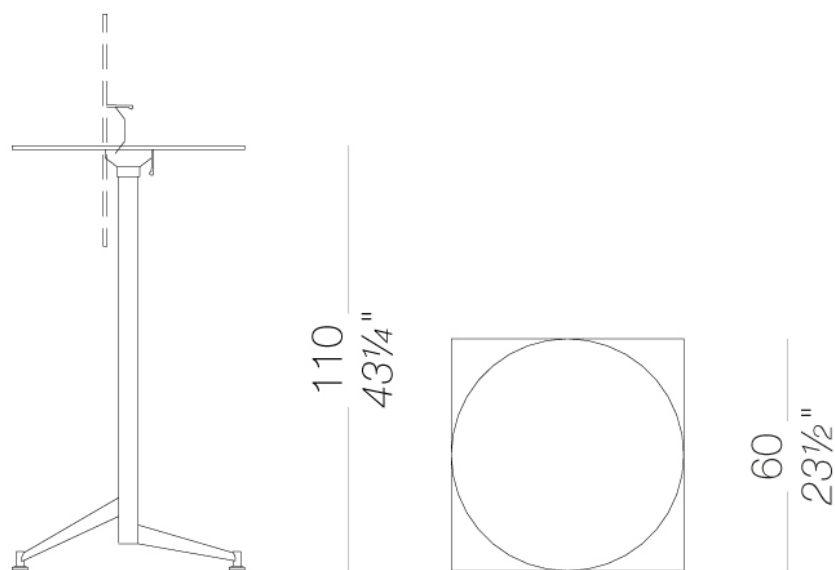


# SELTZ

Romano Marcato | 2009

## high | Folding high bar table stackable Ø60 60x60 H110

Nesting table in two heights, with flip-top in several finishes and two different sizes. Base in sandblasted stainless steel Aisi 304 with adjustable feet.

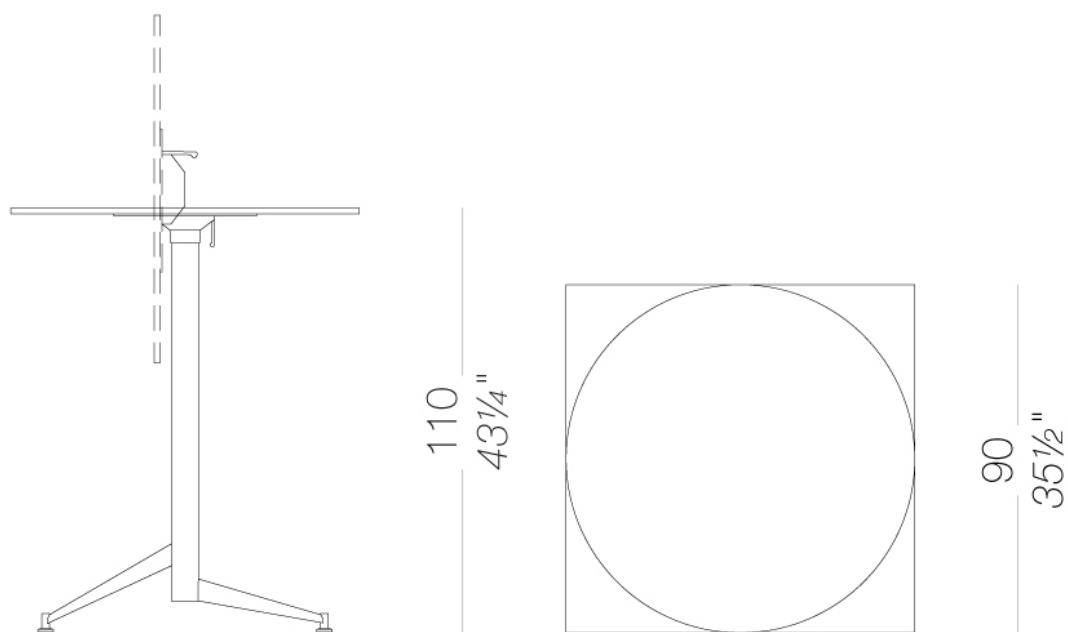


# SELTZ

Romano Marcato | 2009

## big high | High bar table with 90 top stackable Ø90 90x90 H110

Nesting table in two heights, with flip-top in several finishes and two different sizes. Base in sandblasted stainless steel Aisi 304 with adjustable feet.



# SELTZ

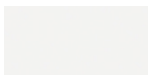
Romano Marcato | 2009

## frame

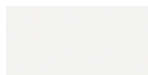


metal  
stainless steel  
1 Colors

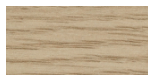
## top



HPL 10 mm  
HPL H406  
1 Colors



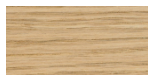
laminate  
406 abet 9/10  
1 Colors



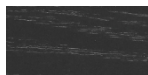
HPL 10 mm  
HPL blanch oak  
1 Colors



HPL 10 mm  
HPL fenix  
2 Colors



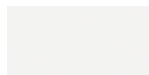
wood  
blanch oak  
1 Colors



wood  
black open pore  
1 Colors



wood  
oak dark walnut  
1 Colors



lacquered  
white lacquered  
1 Colors

**consult the portfolio for the range of colors, fabrics, eco-leather, soft-leather.**

### use and maintenance instructions

Clean all parts in wood, leather, fabric and metal with a damp cloth or a diluted neutral cleaner. Do not use cleaners with alcohol, bleach, solvent or abrasive products. Any liquid spilt on the product must be wiped up immediately. When lifting or moving the product, hold it on the structure and not under the seat. The product should not be subjected to unbalanced weights, as it is designed for a proper rest on the foothold (on four legs or on the base). Our company relieves from any responsibility in case of damage caused to fragile floors. Avoid any improper use of the product: do not step on the product, on the footrest or on the armrests. Avoid any movements that could compromise the proper functionality of the product or the safety of the users. Wood and leather, being natural materials, could be easily damaged. Small impurities or imperfections are within quality standard range. Do not expose the product to weather conditions or atmospheric agents, nor to heat sources over 40°C. Also products for outdoor use could be afflicted by atmospheric agents. The product could undergo possible exterior changes due to particular exposure to heat, humidity and saltiness. An appropriate and frequent maintenance and cleaning of the product enhances its durability. The product could change colour and shade, if exposed to direct sunlight. Maintenance has to be carried out by experienced staff. Dispose of the package only after assembling the product, in order to avoid the loss of ironmongery and components. Once the product has been dismantled, the product itself or its components must be given to the public garbage disposal system, according to the legislation in force.