

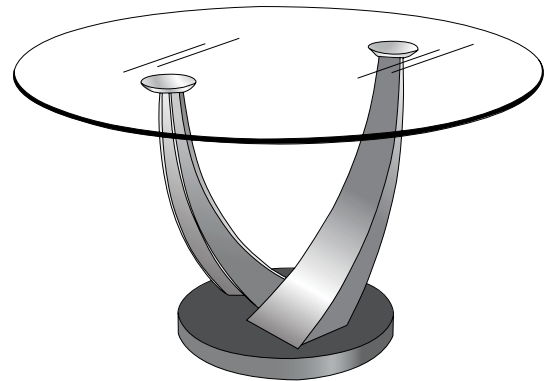


Patent Pending

Designer: Carl Muller

S P E C I F I C A T I O N S

Envisioned to bring luxury and style to smaller spaces, this elegant round table is a welcome addition to our popular Tangent collection. The shimmering Champagne-plated arms and veneered base are still here, but revisited on a more intimate scale. Two gleaming stainless steel discs are permanently bonded to the 1/2" thick tempered glass top, providing stability and sparkle. Base is available in Rift-cut Oak or Walnut veneer; steel feet are in Topaz only. The Tangent will coordinate with any of our popular dining chairs.



342RND DINING TABLE
.....
54ø x 29h

TANGENT COLLECTION



Shown in: Chair-Topaz, Sonoma Apple | Table-Natural Walnut Veneer

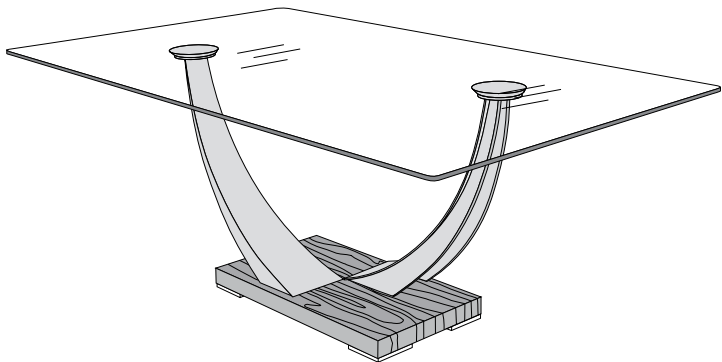
Designer : Table by Carl Muller | Chair by Elite Patent D545, 087

TANGENT COLLECTION

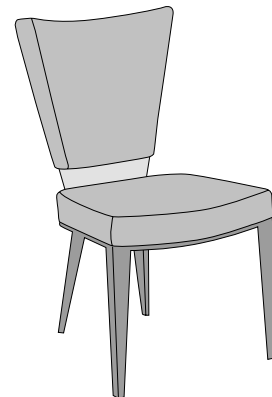
Shimmering Champagne plated arms curve gently upwards, grasping solid stainless steel discs that are permanently bonded to the generous glass top. Understated feet lift the massive base from the floor, while providing an extra metallic accent. Base is offered in Rift-cut Oak or Walnut Veneer, while steel feet are available in Topaz only. Clear ½" glass tops are tempered for strength and safety. Round dining and square dining table are also available.

MONROE COLLECTION

Sitting pretty redefined! Monroe subtly captures a vintage profile and updates it with modern materials. Enjoy the best of both worlds with this timeless design. The contoured back and seat enhance the elegant silhouette while a Champagne-Plated accent dramatically portraying the chair's sense of style and balance. Monroe features sleek metal legs tapered and available in any Elite powder-coat finish. Fabric options include a broad selection of microfibers & leathers.



342REC
Dining Table
42d x 74w x 29.5h



4004
Dining Chair
21.5d x 19w x 38h



M O D E R N

www.elitemodern.com



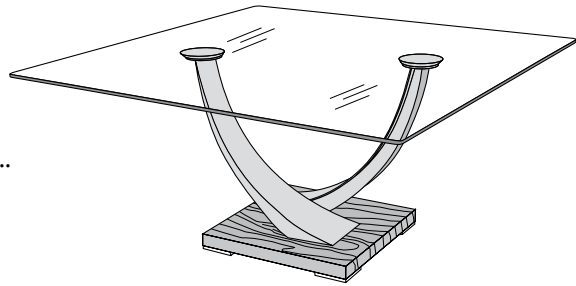
Patent Pending

Designer: Carl Muller

S P E C I F I C A T I O N S

The commanding Tangent Square Dining Table will certainly be the center of attention in any room. Shimmering Champagne-plated arms curve gently upwards, grasping solid stainless steel discs that are permanently bonded to the generous glass top. Understated feet lift the massive base from the floor, while providing an extra metallic accent. Base is offered in Rift-cut Oak or Walnut Veneer, while steel feet are available in Topaz only. Clear 1/2" glass tops are tempered for strength and safety. Steel chair frames are available in any Elite durable powder-coat finish. Designed to complement many of our dining chairs, the Tangent Square Dining Table is shown here with the popular Regal chair.

342SQR DINING TABLE
.....
60d x 60w x 29.5h



421 DINING CHAIR
.....
22d x 19.5w x 37h



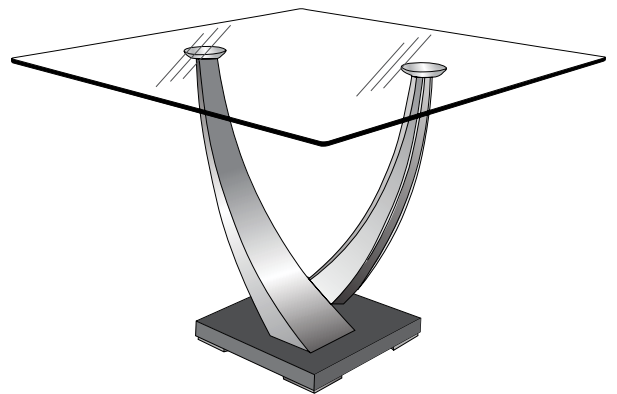


Patent Pending

Designer: Carl Muller

S P E C I F I C A T I O N S

Scaled for today's high dining trend, the Tangent brings elegance, style, and poise to the table. Shimmering Champagne-plated arms have grown longer, curving gently upwards to grasp the gleaming stainless steel discs that are permanently bonded to generous square top. The base is available in Rift-cut Oak or Walnut Veneer, while the understated steel feet are in Topaz only. The 1/2" thick clear glass top is tempered to provide strength and safety. The Tangent will coordinate with any of our high dining chairs, counter stools, or hydraulic barstools.



352 HIGH DINING TABLE
.....
48d x 48w x 36h