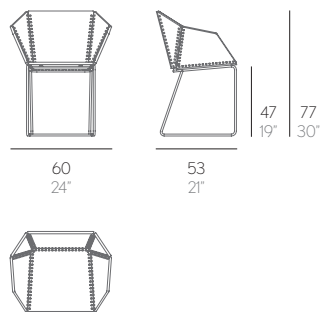


TEXTILE

ANA LLOBET



SILLA

Acero zincado termolacado.
 Polietileno 100% reciclable.
 Cuerda de poliéster trenzado.
 Gomaespuma de poliuretano recubierta con tejido hidrófugo. Tapicería desfundable.

DINING ARMCHAIR

Thermo-lacquered galvanized steel.
 100% recyclable polyethylene.
 Braided rope polyester.
 Polyurethane foam rubber covered with water-repellent fabric. Removable fabric cover.

STUHL

Verzinktem thermolackiertem Stahl.
 100% recycelbarem Polyethylen.
 Seil aus geflochtenem Polyester.
 Polyurethanschaum mit wasserabweisendem Stoff überzogen. Abziehbarer Bezug.

SEDIA

Alluminio saldato termolacato.
 Polietilene 100% riciclabile.
 Corda è di poliestere intrecciato.
 Gommapiuma di poliuretano rivestita di tessuto idrofugo. Tappezzeria sfoderabile.

CHAISE

Aluminium soudé et thermolaqué.
 Polyéthylène 100% recyclable.
 Câble tressé est en polyester.
 Polyuréthane recouverte de tissu hydrofuge.
 Tapisserie déhoussable.

DINING ARMCHAIR

Powder coated galvanized steel.
 100% recyclable polyethylene.
 Braided rope polyester.
 Polyurethane foam rubber covered with water-repellent fabric. Removable fabric cover.

Estructura. Frame. Profil. Struttura. Structure. Frame

12,5 kg - 27,5 lbs 0,31 m³ - 10,95 ft³

Colchoneta. Mat. Matratze. Materasso. Matela. Cushion

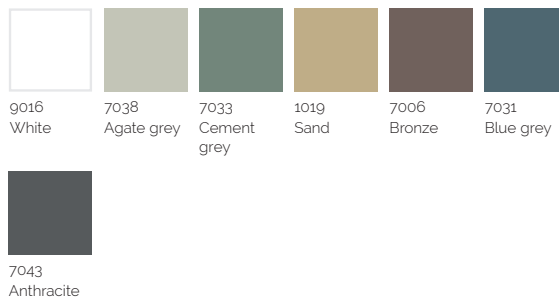
0,67 kg - 1,47 lbs

MATERIALES. MATERIALS. MATERIALEN. MATERIALI. MATERIAUX

ALUMINIUM



POLYETHYLENE



ROPE



FABRICS



info@gandiablasco.com
 www.gandiablasco.com

